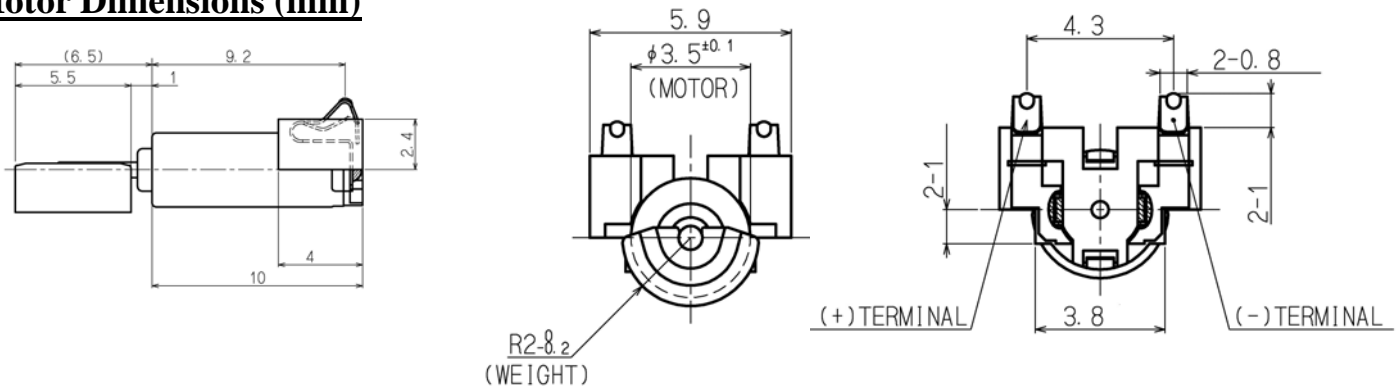




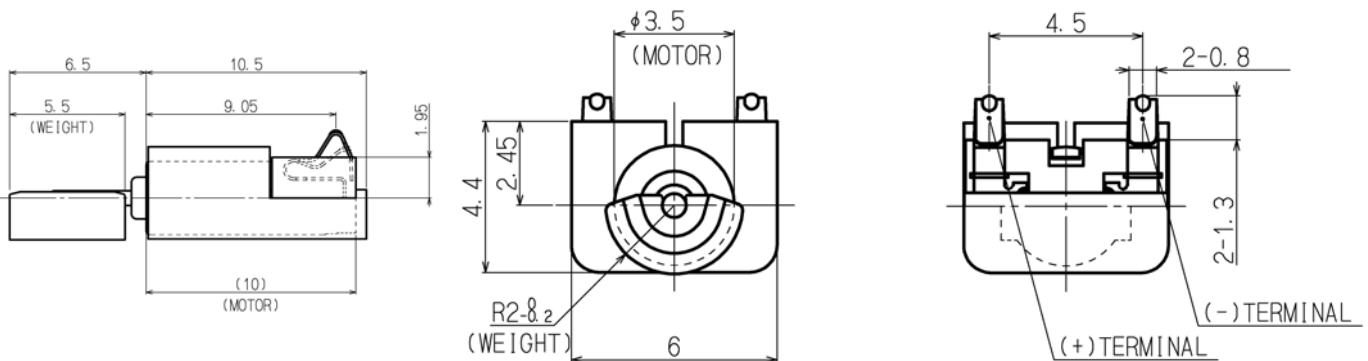
- Low Profile
- Optional rubber boot
- Available 1.3 or 3.0Vdc

Model Number	Rated Voltage (Vdc)	Rated Speed (rpm)	Rated Current (mA)	Starting Voltage (Vdc)	Accel Force (G)	Motor Length (mm)	Overall Length (mm)
LA3R5-448	1.3	10,000	95	0.90	1.00	8	14.5
LA3R5-448B	3.0	11,500	110	1.30	1.10	8	14.5

Motor Dimensions (mm)



Motor Dimensions with Rubber Boot (mm)



Nidec Copal (USA) Corporation
 373 Van Ness Ave Suite 180
 Torrance, CA 90501
 Ph: (310) 782-6102
 Fax: (310) 782-6821
www.copal-usa.com
info@copal-usa.com