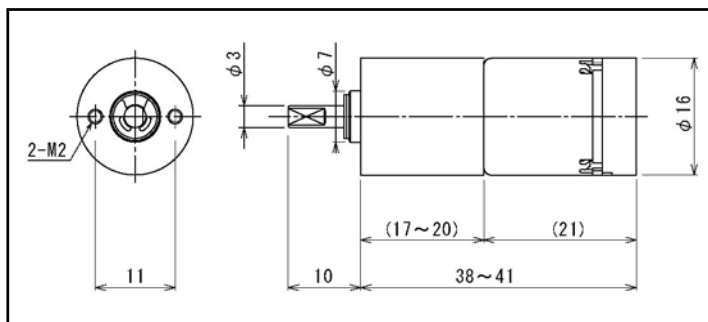


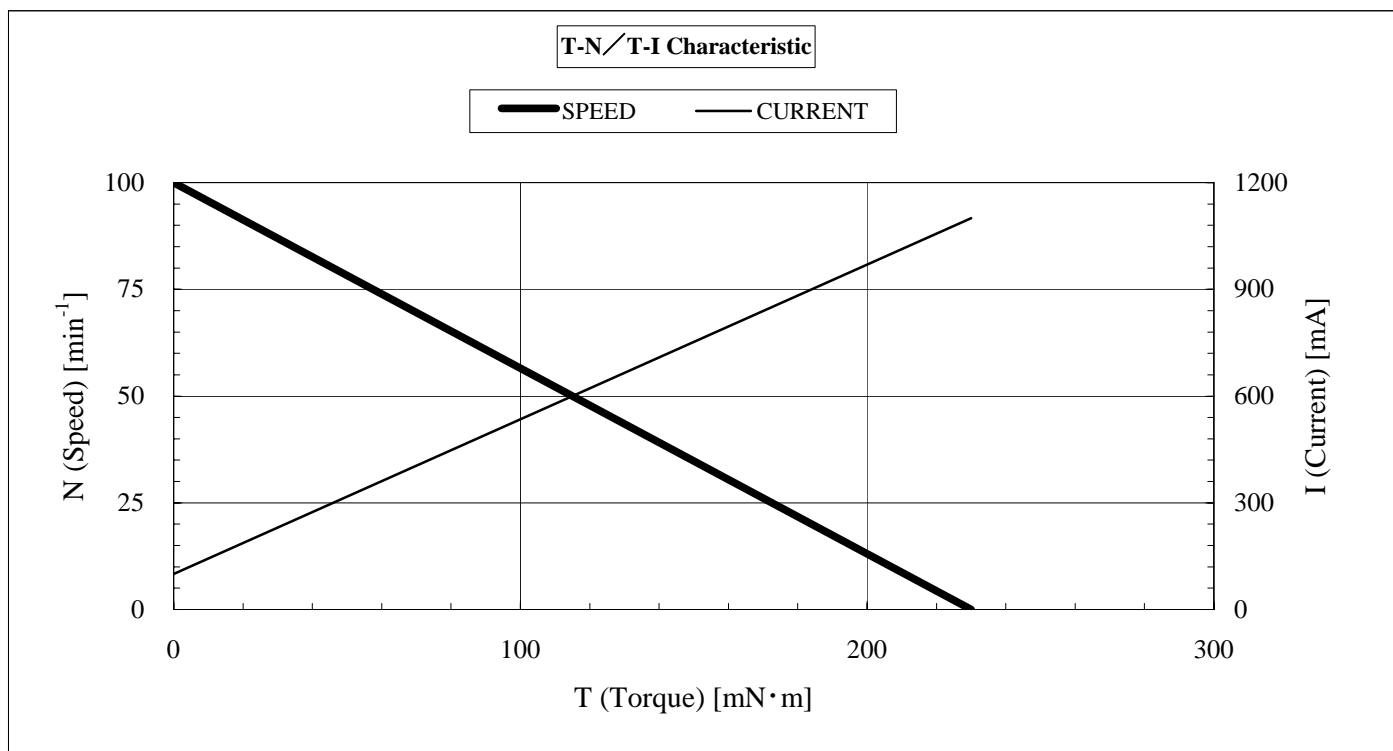
# COPAL

## LB16MG-120-CA 16mm Brushless Motor Planetary Metal Gearbox 6Vdc, 120:1 Ratio



Drive Electronics : Internal  
 Gearbox : Planetary Metal Gears  
 Bearing Type : Sleeve  
 Rotation : CW; CCW  
 Operating Temp : 0°C~50°C  
 Net Weight : 31.5g

| Model         | Rated Voltage (Vdc) | Rated Current (mA) | Starting Current (mA) | Rated Torque |      | Starting Torque |     | Rated Speed (rpm) | No Load Speed (rpm) | Length (mm) |
|---------------|---------------------|--------------------|-----------------------|--------------|------|-----------------|-----|-------------------|---------------------|-------------|
|               |                     |                    |                       | oz-in        | mNm  | oz-in           | mNm |                   |                     |             |
| LB16MG-120-CA | 6                   | 360                | 1100                  | 8.32         | 58.8 | 32.8            | 230 | 75                | 100                 | 38          |



## Input/Output Signal

| Wire No. | Item             | Standard  | Wire Color |
|----------|------------------|---|------------|
| 1        | GND              |   | Black      |
| 2        | VM (Motor Power) | 3.5 ~ 6.6VDC (Motor Speed Control)                          | Gray       |
| 3        | Vcc              | 6VDC: (5.4 ~ 6.6VDC)  | Red        |
| 4        | CW/CCW           | CW: to Vcc; CCW: to GND                                     | Green      |
| 5        | FG               | P-P:GND to Vcc 429 P/R (Gear Ratio×4)<br>Square wave signal | Yellow     |

### Nidec Copal (U.S.A.) Corporation

373 Van Ness Ave Suite 130

Torrance, CA 90501

Tel: (310) 782-6102

Fax: (310) 782-6821

[www.nidec-copal-usa.com](http://www.nidec-copal-usa.com)

[info@nidec-copal-usa.com](mailto:info@nidec-copal-usa.com)