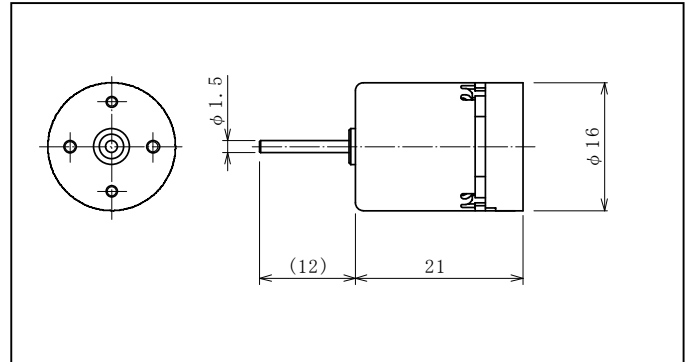


COPAL LB16B 12VDC Brushless Motor



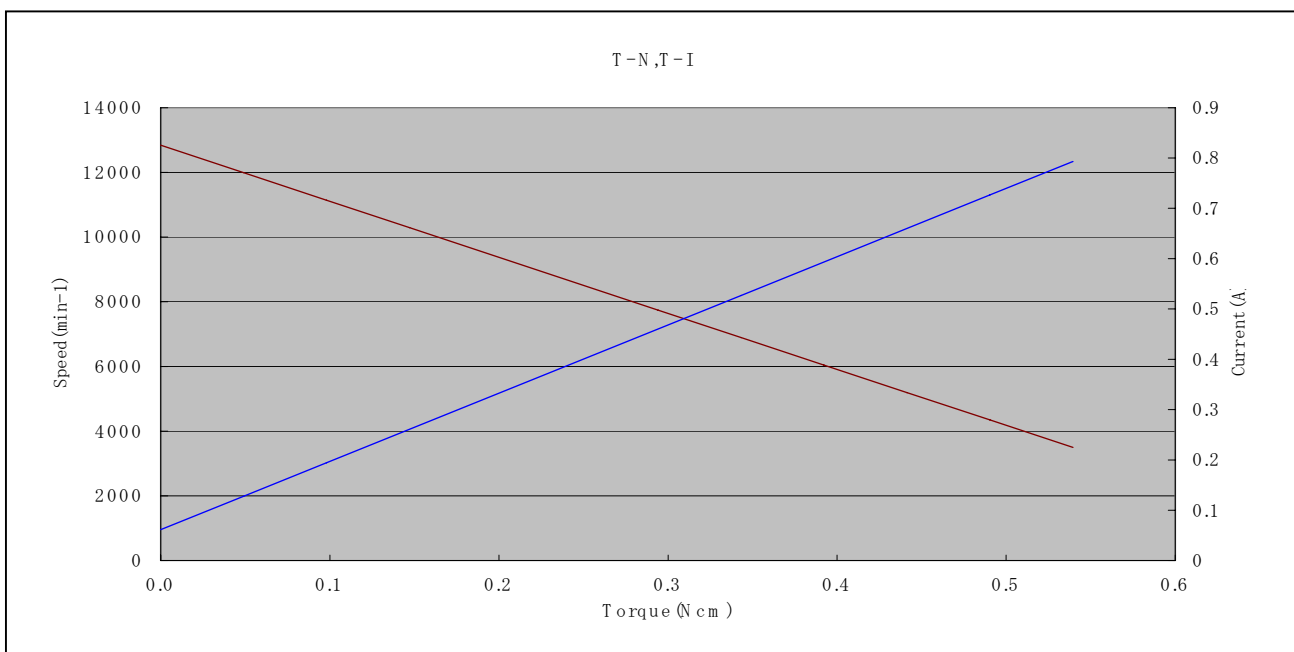
Drive Electronics : Internal
 Case : Metal
 Bearing : Sleeve Bearing
 Rotation : CW; CCW
 Operating Temp : 0°C~50°C
 Net Weight : 13g

Major Characteristic Parameters (Reference)

Model	Rated Voltage (Vdc)	Operating Voltage (Vdc)	Rated Current (mA)	Starting Current (mA)	Rated Torque		Starting Torque		Rated Speed (rpm)	No Load Speed (rpm)	Sound Level (dBA)
					oz-in	mNm	oz-in	mNm			
LB16B	12	10.8~13.2	350	800	0.28	2	0.71	5	9,500	13,000	45

Sound levels measured at 0.3 meters from the motor case

● Performance Curves



Input / Output Signal

Wire No.	Item	Standard	Wire Color
1	GND		Black
2	VM (Motor Power)	3.5~13.2VDC (Motor Speed Control)	Gray
3	Vcc	12VDC (10.8~13.2VDC)	Red
4	CW/CCW	CW: to Vcc; CCW: to GND	Green
5	FG	P-P: GND to Vcc 4 P/R Square wave signal	Yellow

Nidec Copal (U.S.A.) Corporation

373 Van Ness Ave Suite 130

Torrance, CA 90501

Tel: (310) 782-6102

Fax: (310) 782-6821

www.nidec-copal-usa.com

info@nidec-copal-usa.com