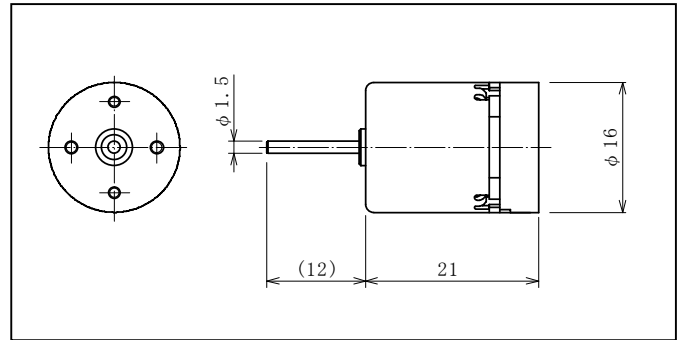


# COPAL

## LB16A 16mm Brushless Motor



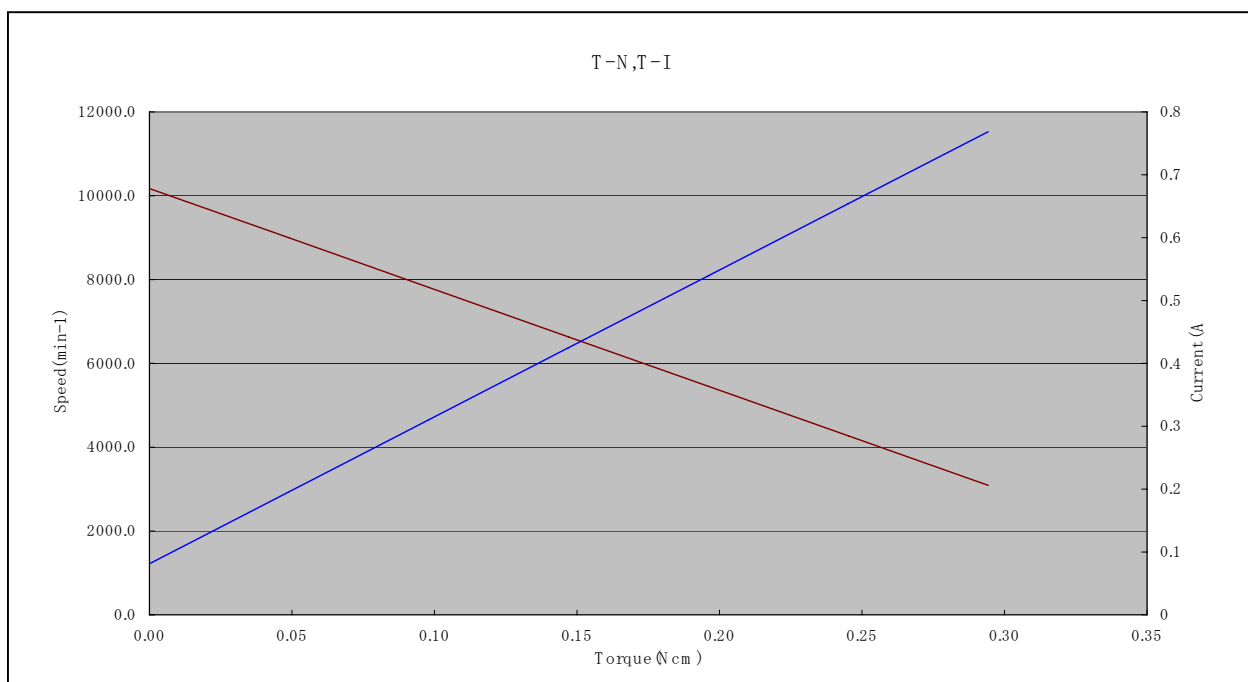
Drive Electronics : Internal  
 Case : Metal  
 Bearing : Sleeve Bearing  
 Operating Temp : 0°C~50°C  
 Rotation : CW; CCW  
 Net Weight : 13g

### Major Characteristic Parameters

Model	Rated Voltage (Vdc)	Operating Voltage (Vdc)	Rated Current (mA)	Starting Current (mA)	Rated Torque		Starting Torque		Rated Speed (rpm)	No Load Speed (rpm)	Sound Level (dBA)
					oz-in	mNm	oz-in	mNm			
LB16A	6	5.4~6.6	450	800	0.21	1.5	0.35	2.5	6,600	10,000	42

Sound levels measured at 0.3 meters from the motor case

### ● Performance Curves



## Input / Output Signal

Wire No.	Item	Standard	Wire Color
1	GND		Black
2	VM (Motor Power)	3.5~6.6VDC (Motor Speed Control)	Gray
3	Vcc	6VDC (5.4~6.6VDC)	Red
4	CW/CCW	CW: to Vcc; CCW: to GND	Green
5	FG	P-P:GND to Vcc 4 P/R Square wave signal	Yellow

### Nidec Copal (U.S.A.) Corporation

373 Van Ness Ave Suite 130

Torrance, CA 90501

Tel: (310) 782-6102

Fax: (310) 782-6821

[www.nidec-copal-usa.com](http://www.nidec-copal-usa.com)

[info@nidec-copal-usa.com](mailto:info@nidec-copal-usa.com)