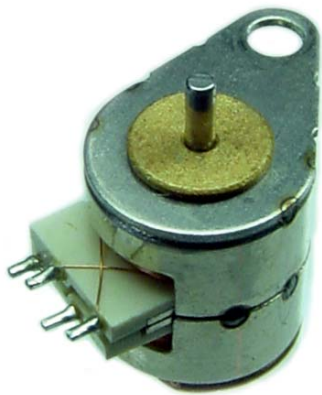
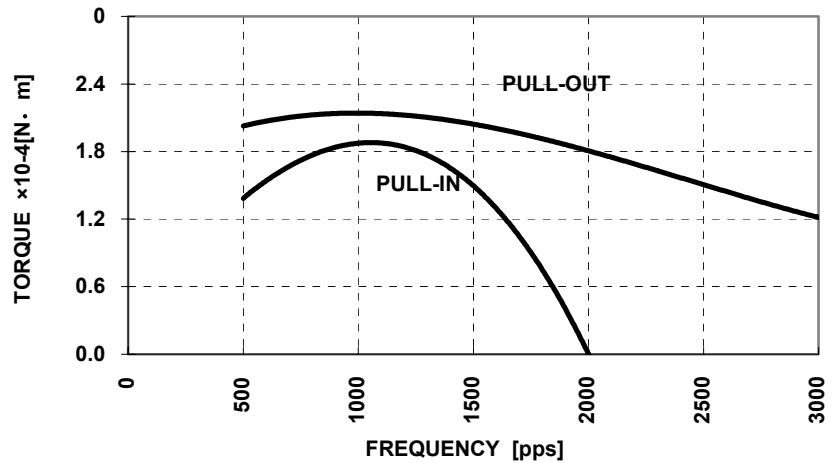


COPAL LPD7 7mm Stepping Motor

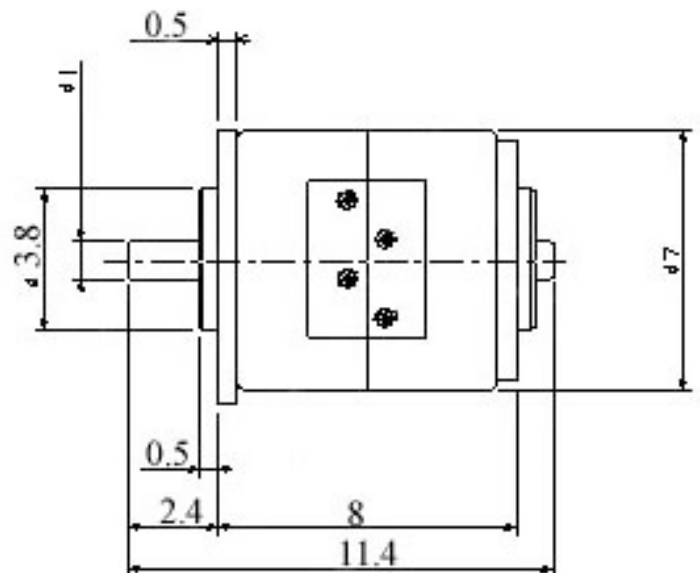
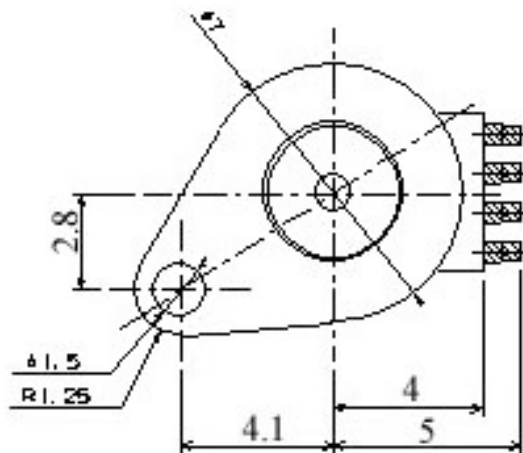


LPD6-001 Curve



Motor Performance (Reference)

Model	Terminal Resistance	Rated Voltage V	Step Angle (°)	Pull-In Pulse Rate pps	Pull-out Pulse Rate pps	Holding Torque		Pull-in Torque 500pps		Pull-out Torque 500pps	
						oz-in	g-cm	oz-in	g-cm	oz-in	g-cm
LPD7	20.0	3	22.5	1,640		0.04	2.93	.025	1.83	0.035	2.55



Nidec Copal (U.S.A.) Corp.
 373 Van Ness Ave Suite 180
 Torrance, CA 90501
 Tel: (310) 782-6102
 Fax: (310) 782-6821
www.copal-usa.com
info@copal-usa.com

All dimensions in millimeters