

COPAL

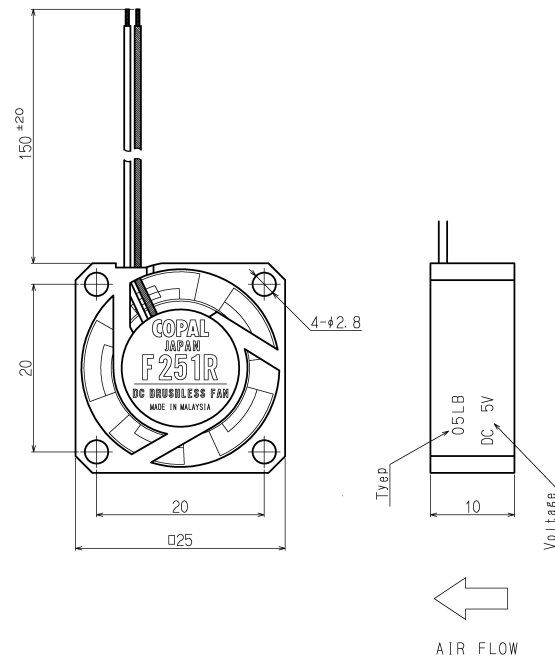
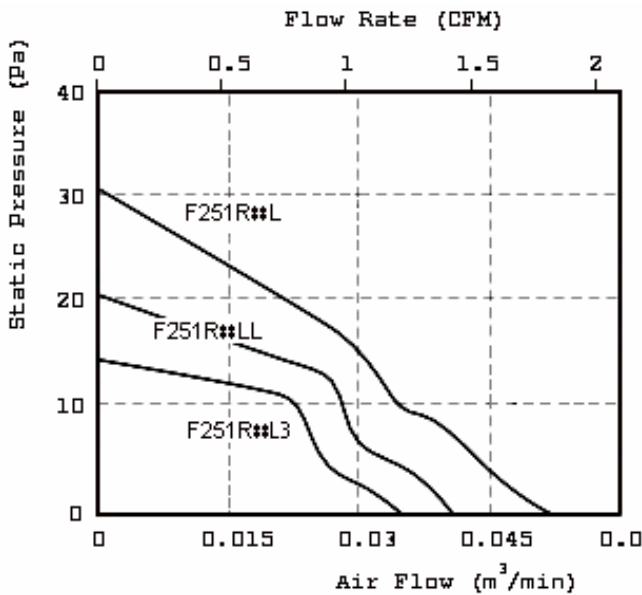
F251R SERIES 25mm Brushless Fans



Frame and Impeller: ABS/PBT Alloy
 Bearing: A Type: 2 ball bearings
 B Type: ball and sleeve bearing
 C Type: Sleeve bearing
 Operating Temp: -10~+60°C
 Net Weight: 7g

Designation: **F251R** - **05** **LL** **A**
 Model voltage Speed Bearing Type

| Model | Voltage (DC) | Operating Voltage (DC) | Current (A) | Rotating Speed (rpm) | Air Flow | | Static Pressure | | Noise db(A) |
|------------------|--------------|------------------------|-------------|----------------------|----------------------|---------------------|------------------|----|-------------|
| | | | | | ft ³ /min | m ³ /min | H ₂ O | PA | |
| F251R-05L3 A/B/C | 5 | 4.5 - 5.7 | 0.04 | 5,500 | 1.24 | 0.035 | 0.056 | 14 | 9 |
| F251R-12L3-A/B/C | 12 | 10.2 - 13.8 | 0.02 | | | | | | |
| F251R-05LL A/B/C | 5 | 4.5 - 5.7 | 0.05 | 6,500 | 1.41 | 0.040 | 0.08 | 20 | 11 |
| F251R-12LL A/B/C | 12 | 10.2 - 13.8 | 0.03 | | | | | | |
| F251R-05L A/B/C | 5 | 4.5 - 5.7 | 0.06 | 8,000 | 1.77 | 0.050 | 0.12 | 30 | 15 |
| F251R-12L A/B/C | 12 | 10.2 - 13.8 | 0.04 | | | | | | |



Nidec Copal (USA) Corporation
 373 Van Ness Ave Suite 130
 Torrance, CA 90501
 Ph: (310) 782-6102
 Fax: (310) 782-6821
 www.nidec-copal-usa.com
 info@nidec-copal-usa.com

RoHS Compliant