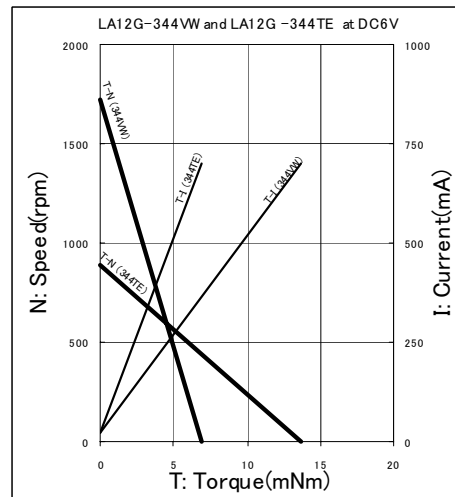
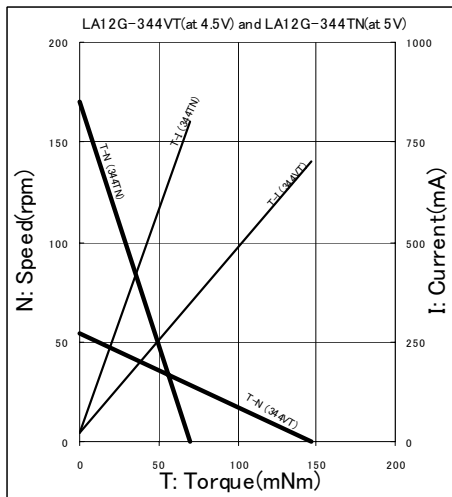


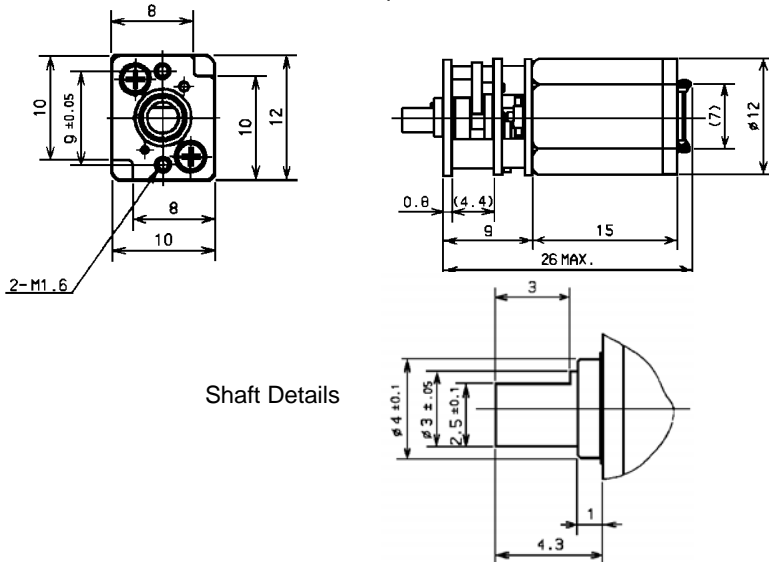


- Metal Spur Gears
- High Torque
- Compact Size
- Optional drive shafts configurations
- RoHS Compliant

Model	Gear Ratio	Rated Voltage DC	Rated Current (mA)	Stall Current (mA)	Rated Torque		Stall Torque		Rated Speed (rpm)	No Load Speed (rpm)
					in-oz	mNm	in-oz	mNm		
LA12G-344VT	298:1	4.5	220	700	6.94	49	20.8	147.1	40	54
LA12G-344TN	107:1	5	250	800	4.86	34.3	9.92	70	100	170
LA12G-344TE	20:1	6	150	700	0.153	1.08	1.94	13.7	815	885
LA12G-344VW	11:1	6	200	700	0.28	1.96	0.97	6.86	1400	1720



Outline Dimensions (Model LA12G-344VT shown)



Nidec Copal (U.S.A.) Corp.
 373 Van Ness Ave Suite 130
 Torrance, CA 90501
 Tel: (310) 782-6102
 Fax: (310) 782-6821
www.nidec-copal-usa.com
info@nidec-copal-usa.com