

COPAL

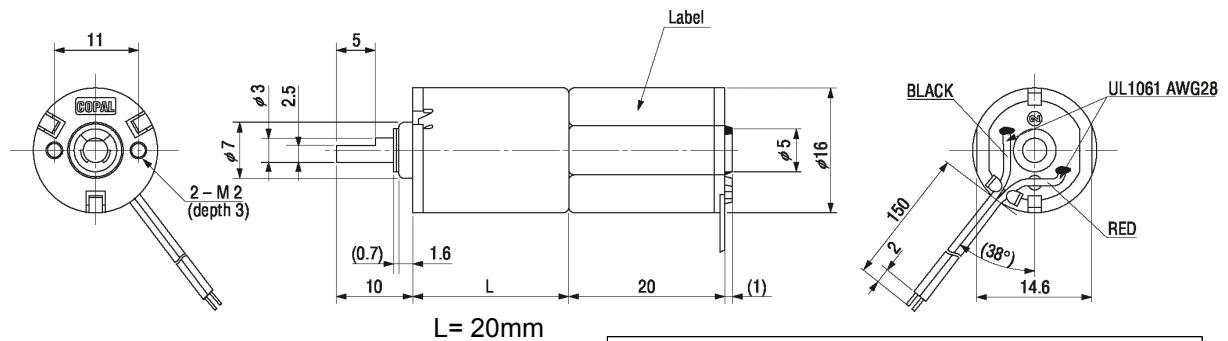
16mm Gear Motor HG16 Series 60:1 Ratio



Case :Metal
Bearing :Sleeve Bearing
Operating Temp :0°C~50°C
Rotation :CW, CCW
Net Weight :27g

- Resin gears for quiet operation
- Planetary gearbox
- Special configurations available upon request
- RoHS Compliant
- Optional encoder
- Available with rear shaft

Model	Rated Voltage (DC)	Operating Voltage (DC)	Rated Current (mA)	Stall Current (mA)	Rated Torque		Stall Torque		Rated Speed (rpm)	No Load Speed (rpm)
					oz-in	mNm	oz-in	mNm		
HG16-060-AA	6	5.4~6.6	400	1600	4.86	34.3	21	147	175	210
HG16-060-AB	12	10.8~13.2	200	800						
HG16-060-AC	24	21.6~26.4	138	450	4.86	34.3	21	147	230	300



Optional Encoder Specifications

Supply voltage: +5vdc
Supply current: 18mA
Light source: LED
Two channel square wave quadrature output
Available resolutions (cpr): 75, 150, 160, 200

Nidec Copal (U.S.A.) Corp.

373 Van Ness Ave Suite 130
Torrance, CA 90501
Tel: (310) 782-6102
Fax: (310) 782-6821
www.nidec-copal-usa.com
info@nidec-copal-usa.com

