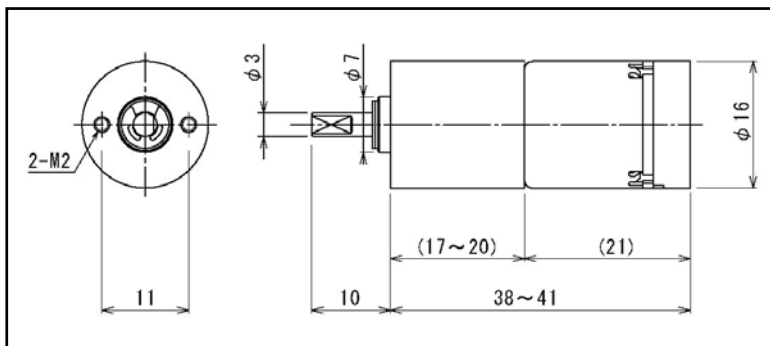


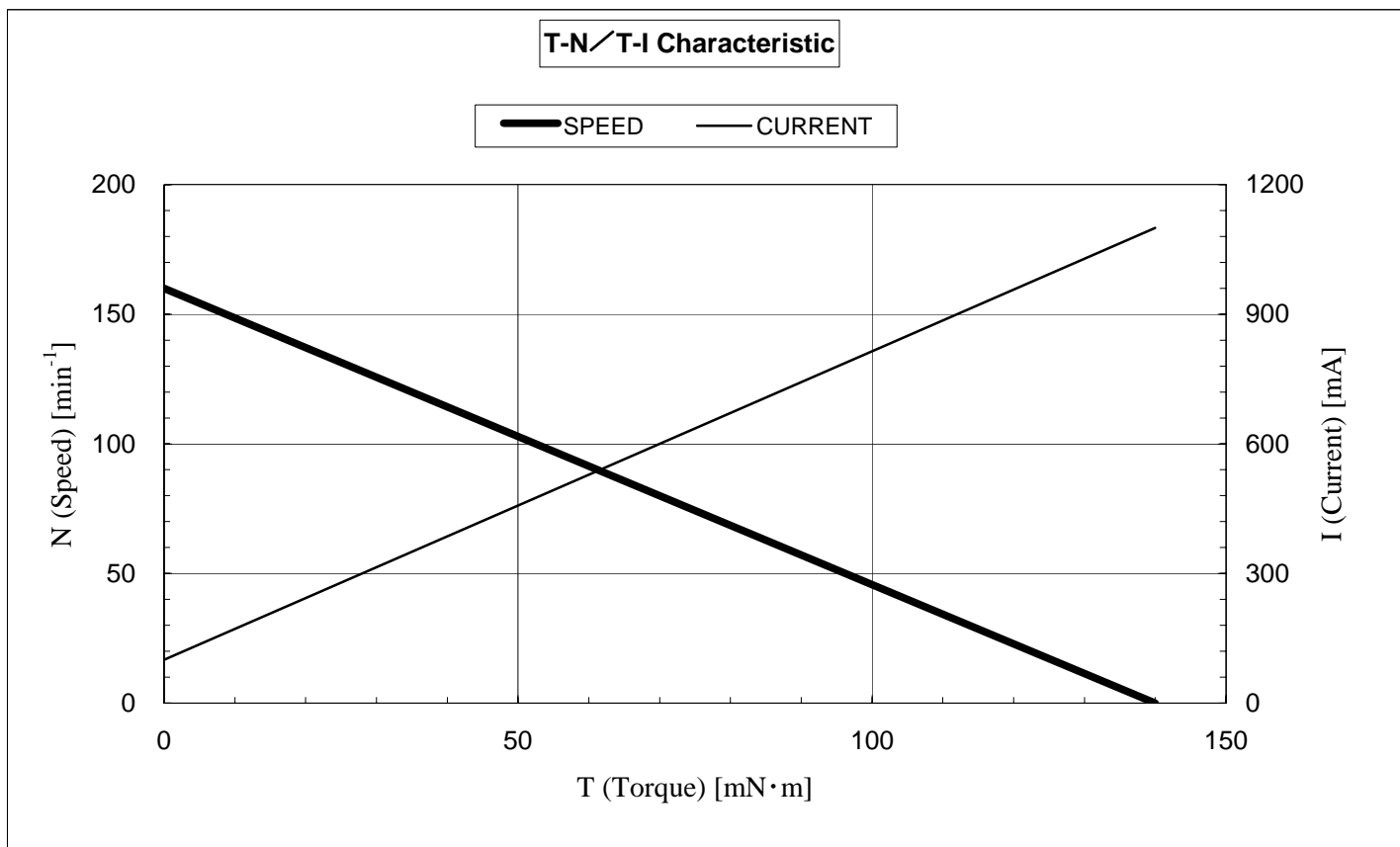
COPAL

LB16MG-060-CA 16mm Brushless Motor Planetary Metal Gearbox 6Vdc, 60:1 Ratio



Drive Electronics :Internal
 Bearing Type :Sleeve
 Gearbox :Planetary Metal Gears
 Rotation :CW; CCW
 Operating Temp :0°C~50°C
 Net Weight :31.5g

Model	Rated Voltage (Vdc)	Rated Current (mA)	Starting Current (mA)	Rated Torque		Starting Torque		Rated Speed (rpm)	No Load Speed (rpm)	Length mm
				oz-in	mNm	oz-in	mNm			
LB16MG-060-AA	6	360	1100	4.8	34.3	19.8	140	120	160	38



Input/Output Signal

Wire No.	Item	Standard	Wire Color
1	GND		Black
2	VM (Motor Power)	3.5 ~ 6.6VDC (Motor Speed Control)	Gray
3	Vcc	6VDC (5.4 ~ 6.6VDC)	Red
4	CW/CCW	CW: to Vcc; CCW: to GND	Green
5	FG	P-P: GND to Vcc 256 P/R (Gear Ratio×4) Square wave signal	Yellow

Nidec Copal (U.S.A.) Corporation

373 Van Ness Ave Suite 130

Torrance, CA 90501

Tel: (310) 782-6102

Fax: (310) 782-6821

www.nidec-copal-usa.com

info@nidec-copal-usa.com