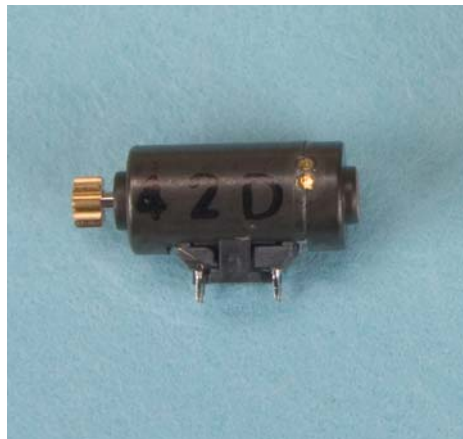
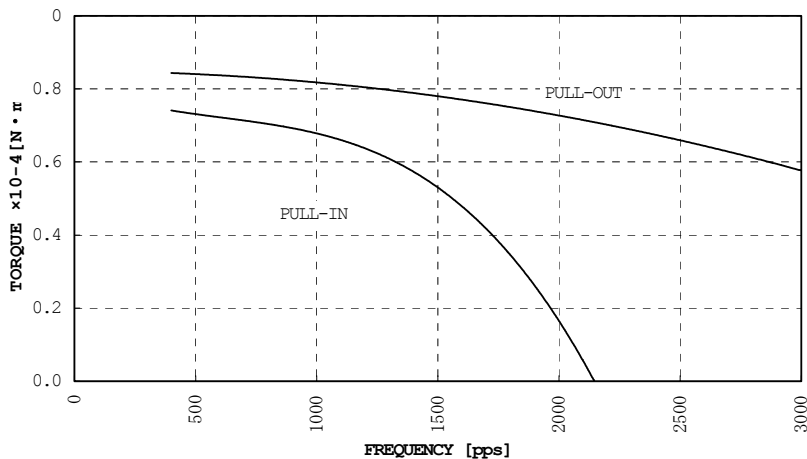


COPAL LPD4 4mm Stepping Motor

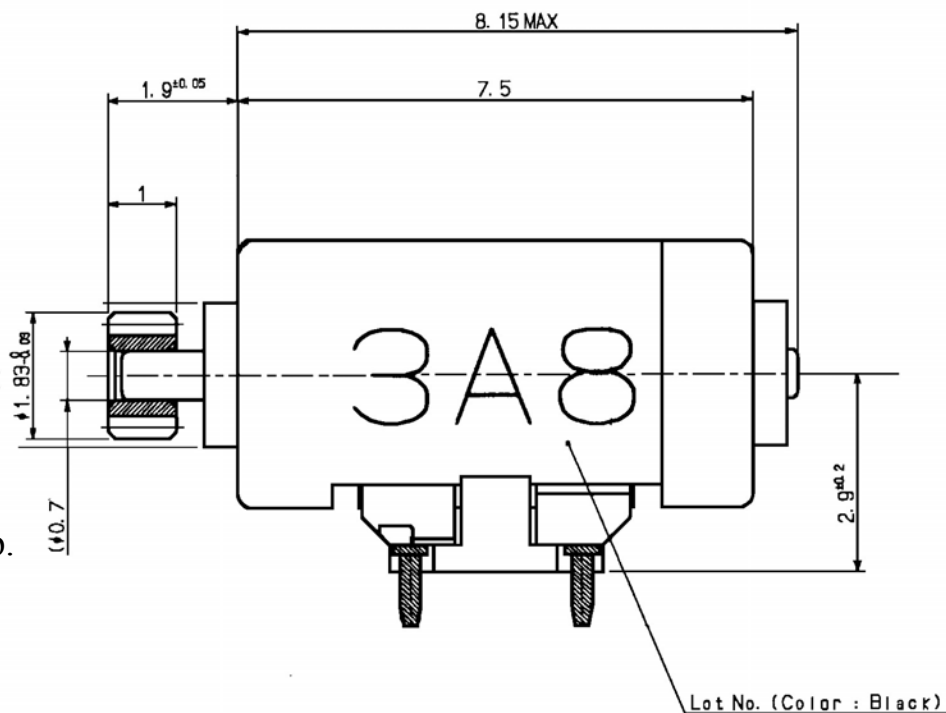


Frequency vs Torque Curve



Motor Performance (Reference)

Model	Terminal Resistance	Rated Voltage (V)	Step Angle (°)	Pull-In Pulse Rate (pps)	Pull-out Pulse Rate (pps)	Holding Torque		Pull-in Torque		Pull-out Torque	
						oz-in	g-cm	oz-in	g-cm	oz-in	g-cm
LPD4	22.5	3	22.5	1,600	3,000	0.023	1.70	0.01	0.75	0.011	0.85



Nidec Copal (U.S.A.) Corp.
 373 Van Ness Ave Suite 180
 Torrance, CA 90501
 Tel: (310) 782-6102
 Fax: (310) 782-6821
www.copal-usa.com
info@copal-usa.com

all dimensions in millimeters