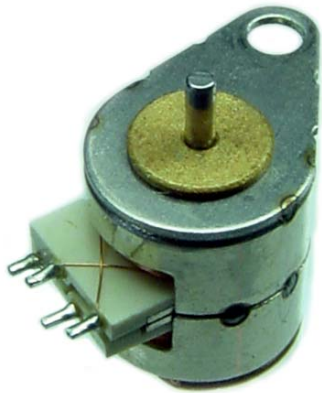
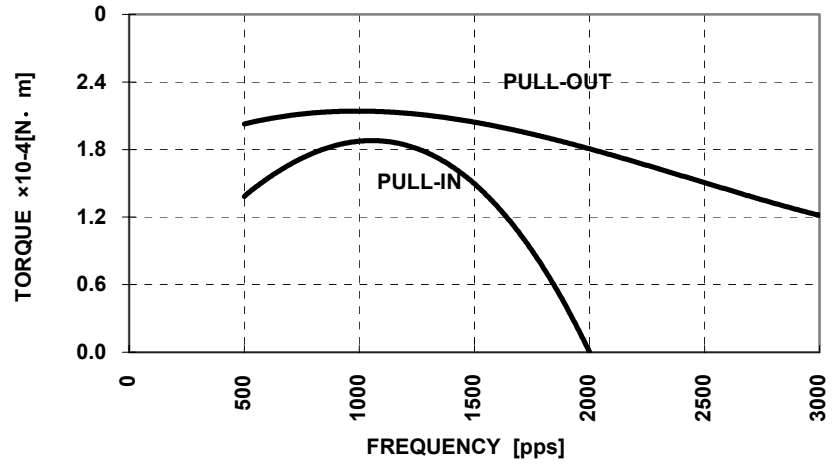


COPAL LPD6 6mm Stepping Motor

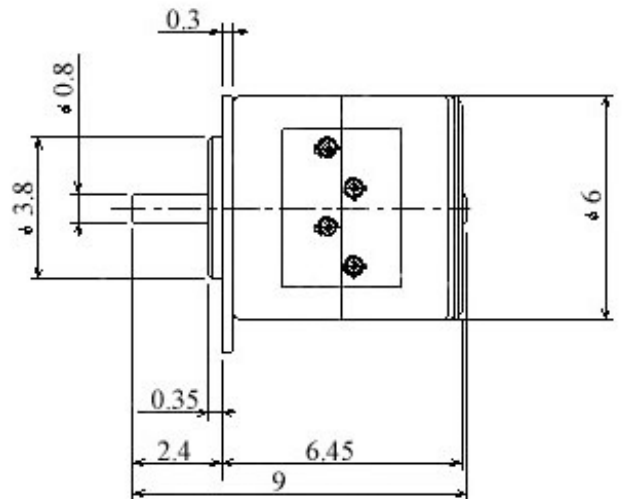
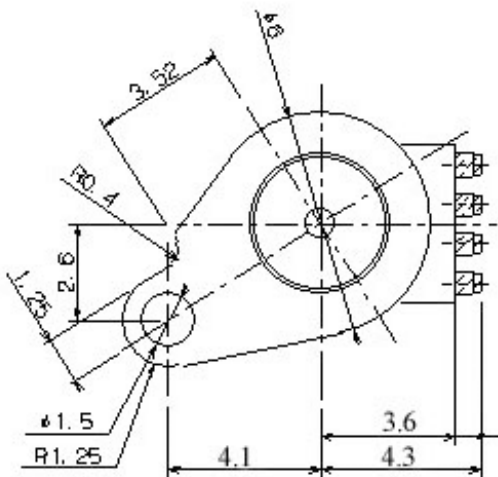


LPD6-001 Curve



Motor Performance (Reference)

Model	Terminal Resistance	Rated Voltage V	Step Angle (°)	Pull-In Pulse Rate pps	Pull-out Pulse Rate pps	Holding Torque		Pull-in Torque 500pps		Pull-out Torque 500pps	
						oz-in	g-cm	oz-in	g-cm	oz-in	g-cm
LPD6	20.0	3	18	2000		0.028	2.07	0.02	1.41	0.028	2.06



Nidec Copal (U.S.A.) Corp.
 373 Van Ness Ave Suite 180
 Torrance, CA 90501
 Tel: (310) 782-6102
 Fax: (310) 782-6821
www.copal-usa.com
info@copal-usa.com

All dimensions in millimeters